

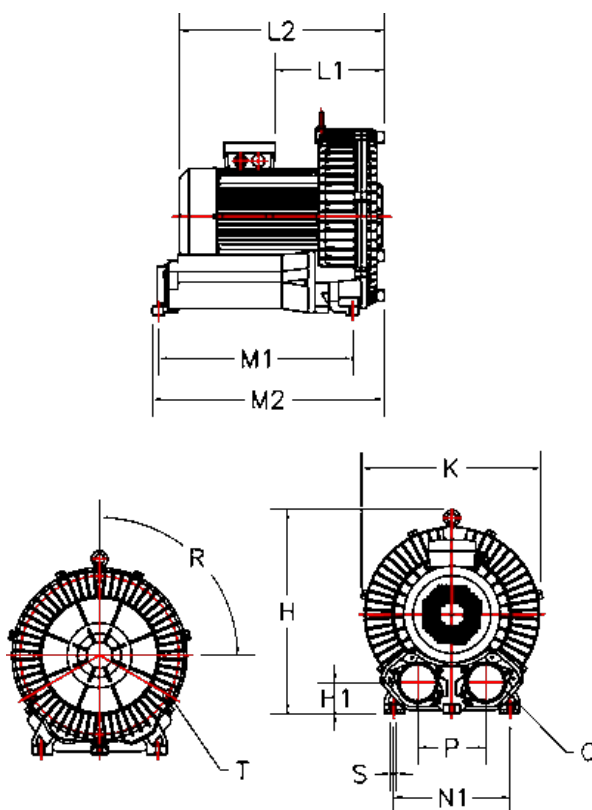
# Data Sheet



Article number: 2761052922011

Description: KLEEblower KB529 2,2/2,6 kW  
3x230/400V 50/60Hz Single stage

## Measures



H = 416.5	N1 = 290
H1 = 50	Noise level dB 50/60Hz = 72/77
K = 383	P = 125
L1 = 143.5	Q = 2-PF 2" (NPT 2")
L2 = 370	R (degrees) = 3x120
M1 = 140	S = 4 x Ø15
M2 = 362	T = 3 - M8X1,25 - 20 dyb
N = 332	